

Rugged Mini O

tangent

FEATURES

- Fanless Design
- Waterproof design
- Rugged Stainless Steel Construction
- Intel Bay Trail N2930(1.83GHz)/E3845(1.91GHz) optional
- Onboard 4GB DDR3L 1600MHz
- Wide Range 9~36V DC Power Input
- IP67 Certified and IP69K Compliant
- 1 x 2.5" SATA II HDD Bay



SPECIFICATIONS

System

Processor	Intel Celeron N2930, Quad-Core, 2MB Cache, 1.83GHz
System Chipset	Bay Trail SoC integrated
Graphics Controller	Intel HD Graphics
LAN Chipset	1x GbE: Intel 82574L
Audio	Realtek ALC662 chipset only (no audio output on system)
System Memory	4GB DDR3L- Down Memory (Soldered on Board)
BIOS	AMI 64Mbit
TPM	TPM 2.0

Storage

SSD/HDD	1x 2.5" SATA HDD Bay
---------	----------------------

I/O

Video	1x VGA Output (M12 Connector)
COM	1x DB9 Serial RS232/422/485, COM1 (M12 Connector) 1x DB9 Serial RS232, COM2 (M12 Connector)
USB	2x USB 3.0 (M12 Connector)
LAN	1x LAN (M12 Connector)
WLAN	Intel Wireless AC-7260 + BT (Optional)
Other	1 x Power Switch 1 x 9-30V Power Jack (M12 Connector)

Other

Cooling Method	Fanless
Media Reader	SD Card (up to 32GB) - Internal

Expansion

Mini PCI Express	1x MiniPCIe (Full Size)
------------------	-------------------------

Operating System

Windows	Windows 7 Pro 32/64bit Windows 10 Pro 64bit
---------	--

Power

Power Input Voltage	9-30 VDC
Power Connector	3-pin M12 Connector
Power Adapter	External Power Adapter, 19V @ 6.31A

Environment

Operating Temp.	-4°F - 140°F (-20°C - 60°C)
Storage Temp.	-40°F - 185°F (-40°C - 85°C)
Relative Humidity	10% - 90% @ 40°C non-condensing
IP Level	IP67 Certified and IP69K Compliant
Certification	CE, FCC

Physical

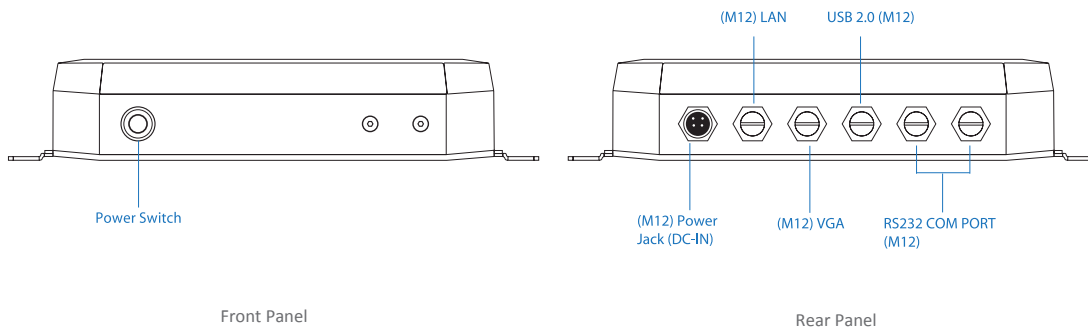
Enclosure Materials	Stainless Steel
Dimension (W x D x H)	9.84" x 7.87" x 2.31" (250 x 200 x 58.6 mm)
Weight	6.35 lb (2.88 kg)
Mounting	Wall Mounting

Warranty

Warranty	1-Year Standard
----------	-----------------

Rugged Mini O

I/O LAYOUT



DIMENSION

Unit: mm

