

Rugged Mini FX

tangent

FEATURES

- Intel Core i5-5350U or Celeron 3755U
- Fanless Design
- Designed for In-Vehicle Use
- Four Intel GbE ports
- 9 V~36 V DC input
- Two RS-232/422/485
- E-Mark certification
- -20°C to 60°C extended operating temperature
- MIL-STD Compliant



SPECIFICATIONS

System	
Processor	Intel Core i5-5350U, Dual-Core, 3MB Cache, 1.8 GHz Intel Celeron 3755U, Dual-Core, 2MB Cache, 1.9 GHz
System Chipset	Broadwell U SOC
Graphics Controller	Intel HD Graphics 6000 (Core CPU) Intel HD Graphics (Celeron CPU)
LAN Chipset	1x GbE: Intel I218 3x GbE: Intel I211
Audio	Realtek ALC662
System Memory	Up to 16GB DDR3L 1333/1600 (2x SO-DIMM)
BIOS	AMI 128Mbit
Watchdog	Software Programmable Supports 1~255 sec. System Reset
Storage	
SSD/HDD	1x 2.5" SATA Bay (Removable)
mSATA	1x mSATA (shared with 1x Mini PCIe)
Expansion	
Mini PCI Express	1x MiniPCIe (Full Size Shared with mSATA) 1x MiniPCIe (Half-Length for WiFi)
SIM Socket	1x Internal SIM Socket
Other	
Cooling Method	Fanless
I/O	
Video	1x VGA 1x HDMI
COM	2x DB9 Serial RS232/422/485, COM1 & COM2 2x Internal headers RS232/422/485, COM3, COM4, COM5 & COM6
USB	2x USB 3.0 (Front) 2x USB 2.0 (Rear)
LAN	4x GbE RJ45
WLAN	Intel Wireless AC-7260 + BT (Optional)
Audio	1x Mic-in, 1x Line-out
DIO	4 IN / 4 OUT (Internal Header)
Other	1 x Power Switch 1x AT/ATX Switch

Operating System

Windows	Windows 7 Pro 32/64bit Windows 10 Pro 64bit
---------	--

Power

Power Mode	AT/ATX
Power Input Voltage	9-36 VDC
Power Ignition Sensing	Yes
Power Connector	3-pin Phoenix Connector
Power Adapter	External Power Adapter, 12V @ 5A (Optional)

Environment

Operating Temp.	-4°F - 140°F (-20°C - 60°C)
Storage Temp.	-22°F - 158°F (-30°C - 70°C)
Relative Humidity	10% - 95% non-condensing
Shock	Half-sine wave shock 5G, 11ms, 3 shocks per axis
Vibration	MIL-STD-810F 514.5C-2 (with SSD)
Certification	CE, FCC Class B, E-Mark, RoHS

Physical

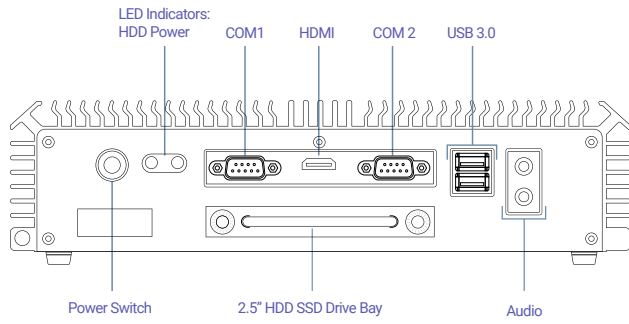
Enclosure Materials	Extruded Aluminum with Heavy Duty Metal
Dimension (WxHxD)	10.04" x 5.90" x 2.48" (255 x 150 x 63 mm)
Weight	4.85 lb (2.2 kg)
Mounting	Wall mount, VESA 100 (Optional)

Warranty

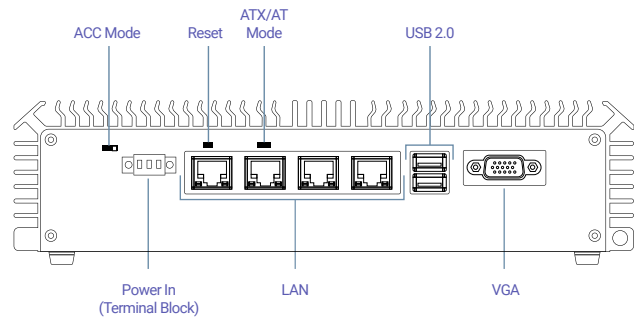
Warranty	1-Year Standard
----------	-----------------

Rugged Mini FX

I/O LAYOUT



Front Panel



Rear Panel

DIMENSION

Unit: mm

